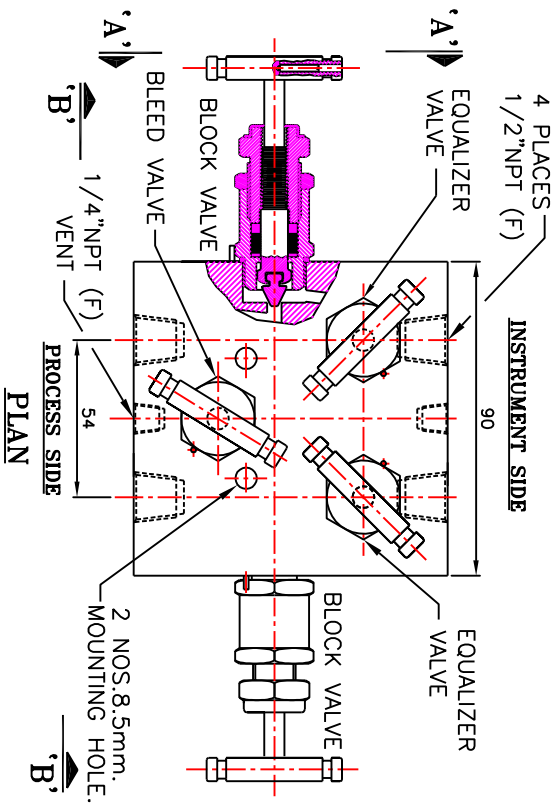
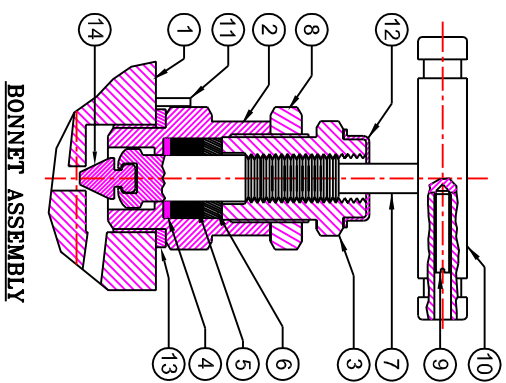
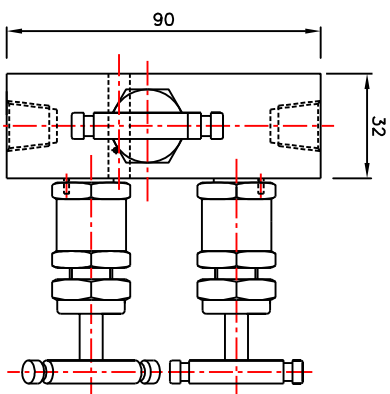


VIEW - 'BB'



VIEW - 'AA'



S.NO.	DESCRIPTION	QTY.	MATERIAL
1	BODY	1	A479-316
2	BONNET	5	A479-316
3	GLAND RETAINER	5	A479-316
4	WASHER	5	A479-316
5	PACKING	5	PTFE/GRAFOL
6	PACKING WASHER	5	A479-316
7	SPINDLE	5	A479-316
8	LOCK NUT	5	A479-316
9	GRUB SCREW	5	STEEL
10	HANDLE	5	A479-316
11	LOCK PIN	5	A479-316
12	DUST CAP	5	PLASTIC I.D.
13	WASHER	5	A479-316
14	NON ROTATING VEE TIP	5	A564-630

MATERIAL OF CONSTRUCTIONS

PANAM 5-VALVE MANIFOLD REMOTE MOUNT CONNECTION DESIGNED FOR CONNECTING SYSTEM IMPULSE LINES & TRANSMITTERS. THIS MANIFOLD CONSISTS TO 1/2" NPT FEMALE CONNECTIONS ON 54mm (2-1/8") CENTERS AND OF TWO EQUALIZER VALVE, TWO BLOCK VALVES & ONE VENT VALVE.

FEATURES:

316 S.S. BODY CONSTRUCTION FOR SUPERIOR CORROSION RESISTANCE. NON ROTATING VEE TIP PREVENTS GALING & PROMOTES REPETITIVE SHUT-OFF. OPTIONAL GRAF-HOLL PACKING MATERIAL IS AVAILABLE FOR HIGH TEMP. RATING 1000°F @6000 PSI

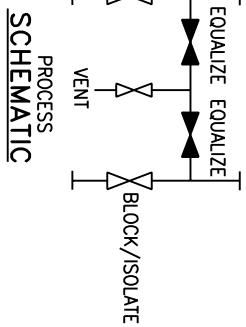
TESTING:

PNEUMATIC TEST:- EACH VALVE IS TESTED WITH NITROGEN AT 100 PSI IN ACCORDANCE WITH MSS-SP-61 FOR SEAT & PACKING LEAKAGE. HYDRO TEST:- PERFORMED WITH PURE WATER IN ACCORDANCE WITH MSS-SP-61. BODY TESTED AT 1.5 TIMES & SEAT LEAKAGE TESTED AT 1.1 TIMES OF THE WORKING PRESSURE.

DESIGN STANDARD:

PRESSURE & TEMPERATURE RATING ARE SELECTED FROM ANSI B16.34 STANDARD CLASS VALVES BASED ON ANSI B16-CLASS 2500 OPTIONAL SOUR GAS SERVICE CONFIRMS TO NACE STD. MR-01-75

TECHNICAL DATA			
Seat	Pr. Rat.	Temp. Rot.	Cv
METAL SEAT (41300 kpa)	6000 PSI (-20 to 250° F (-29° to 121°C))	PTFE (-20 to 600° F (-29° to 315°C))	0.52 max. 4.8 mm.



NOTE:-1) DIMENSIONS ARE IN MM.FOR REFERENCE ONLY,SUBJECT TO CHANGE.
2) APPROXIMATE WEIGHT= 2.6 KG.

REV.	DESCRIPTION	REVISION	BY	DATE

TITLE:- 5 VALVE MANIFOLD (PIPE TO PIPE)

DRN.	VPT	SCALE	- NTS.
CHD.	VA	DATE	- 01.02.2005
APPD.	JP	DRG.NO.:	5VM-SS-8-R
			RO

PANAM ENGINEERS
AN ISO 9001 : 2000 COMPANY
MUMBAI - INDIA