

S.NO.	DESCRIPTION	QTY.	MATERIAL
14	NON ROTATING VEE TIP	2	A564-630
13	WASHER	2	A479-316
12	DUST CAP	2	PLASTIC LD.
11	LOCK PIN	2	A479-316
10	HANDLE	2	A479-316
9	GRUB SCREW	2	STEEL
8	LOCK NUT	2	A479-316
7	SPINDLE	2	A479-316
6	PACKING WASHER	2	A479-316
5	PACKING	2	PTFE/GRAPFOIL
4	WASHER	2	A479-316
3	GLAND RETAINER	2	A479-316
2	BONNET	2	A479-316
1	BONNET BODY	1	A479-316

**MATERIAL OF CONSTRUCTIONS**

PANAM 3-VALVE MANIFOLD R-TYPE PIPE TO FLANGE BASE MOUNT CONNECTION DESIGNED FOR CONNECTING SYSTEM IMPULSE LINES & TRANSMITTERS. THIS MANIFOLD CONSISTS TO 1/2" NPT FEMALE CONNECTIONS ON 54mm (2-1/8") CENTERS, ONE EOULIZER VALVE AND TWO BLOCK VALVES.

**FEATURES :**

- 316 S.S. BODY CONSTRUCTION FOR SUPERIOR CORROSION RESISTANCE.
- NON ROTATING VEE TIP PREVENTS GALLING & PROMOTES REPETITIVE SHUT-OFF.
- OPTIONAL GRAPHOIL PACKING MATERIAL IS AVAILABLE FOR HIGH TEMP. RATING 1000°F @6000 PSI

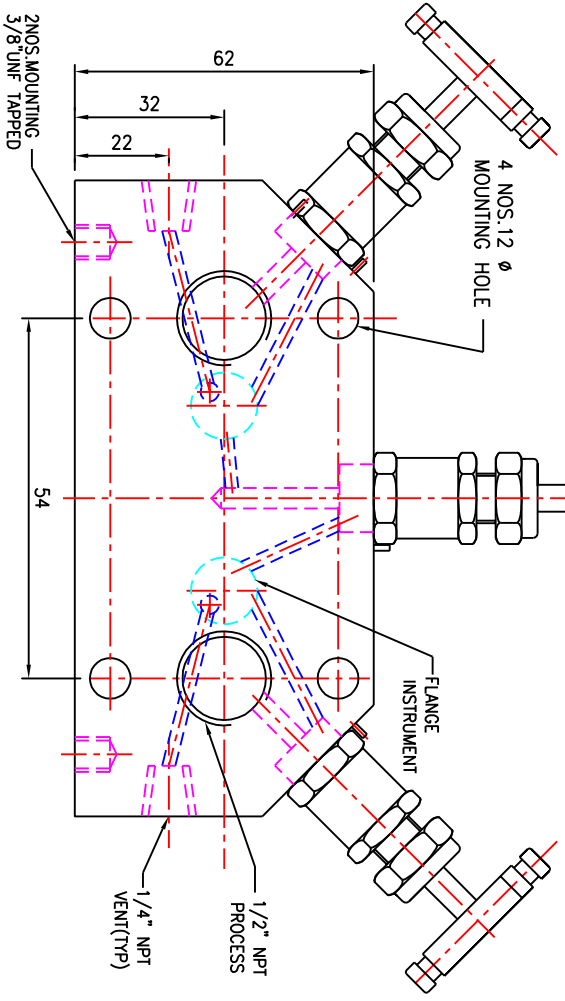
**TESTING:**

- PNEUMATIC TEST:-** EACH VALVE IS TESTED WITH NITROGEN AT 100 PSI IN ACCORDANCE WITH MSS-SP-61 FOR SEAT & PACKING LEAKAGE.
- HYDRO TEST:-** PERFORMED WITH PURE WATER IN ACCORDANCE WITH MSS-SP-61. BODY TESTED AT 1.5 TIMES & SEAT LEAKAGE TESTED AT 1.1 TIMES OF THE WORKING PRESSURE.

**DESIGN STANDARD :**

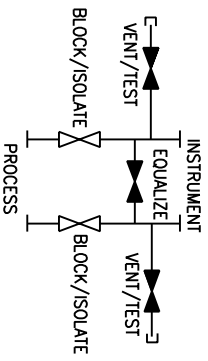
PRESSURE & TEMPERATURE RATING ARE SELECTED FROM ANSI B16.34 STANDARD CLASS VALVES BASED ON ANSI B16.34 CLASS 5000 MR-01-75 OPTIONAL SOUR GAS SERVICE CONFIRMS TO NACE STD.

**ELEVATION**



TECHNICAL DATA			
Seat	P. Rot.	Temp. Rot.	Cv
METAL SEAT	6000 PSI (41300 kpa)	PTFE (-20 to 250° F (-29 to 121°C))	0.52 max.
		GRAPFOIL (-20 to 600° F (-29 to 315°C))	4.8 mm.

NOTE:-1) DIMENSIONS ARE IN MM.FOR REFERENCE ONLY,SUBJECT TO CHANGE.  
2) APPROXIMATE WEIGHT= 2.3 KGS.



**SCHEMATIC**

REV.	DESCRIPTION	BY	DATE
REVISION			
TITLE: - 3 VALVE MANIFOLD (PIPE TO FLANGE) 6000 PSI RANGE BASE VENTED			
DRN.	VPT	SCALE - NTS.	
CHD.	VA	DATE - 28.01.2005	
APPD.	JP	DRG.NO.: 3VM-SS-8-DM	RO



**PANAM ENGINEERS**  
AN ISO 9001 : 2000 COMPANY  
MUMBAI - INDIA