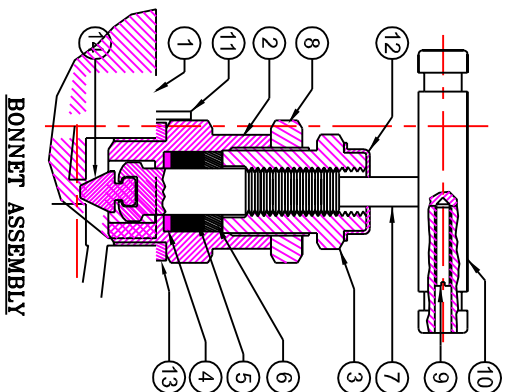
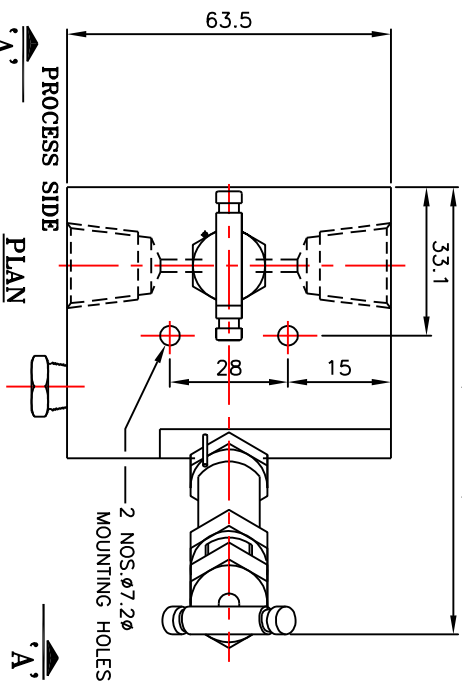


INSTRUMENT SIDE 99.5 (OPEN HT.)



S.NO.	DESCRIPTION	QTY.	MATERIAL
14	NON ROTATING VEE TIP	2	A564-630
13	WASHER	2	A479-316
12	DUST CAP	2	PLASTIC LD.
11	LOCK PIN	2	A479-316
10	HANDLE	2	A479-316
9	GRUB SCREW	2	STEEL
8	LOCK NUT	2	A479-316
7	SPINDLE	2	A479-316
6	PACKING WASHER	2	A479-316
5	PACKING	2	PTFE/GRAFOL
4	WASHER	2	A479-316
3	GLAND RETAINER	2	A479-316
2	BONNET	2	A479-316
1	BODY	1	A479-316

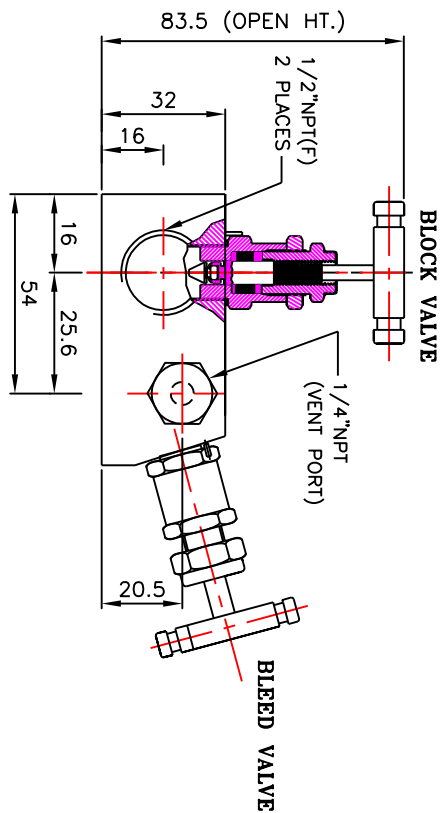
MATERIAL OF CONSTRUCTIONS

PANAM 2 VALVE MANIFOLD PIPE TO PIPE DESIGN FOR SEPARATE MOUNTING. CONNECTING SYSTEM IMPULSE LINES & TRANSMITTERS, HAVING SIMPLE TWO VALVE CONFIGURATION WHICH ALLOWS FOR EASY BLOCK, BLEED & CALIBRATION OF A STATIC PRESSURE TRANSMITTER OR GAUGE.

FEATURES:
316 S.S. BODY CONSTRUCTION FOR SUPERIOR CORROSION RESISTANCE.
NON ROTATING VEE TIP PREVENTS GALLING & PROMOTES REPETITIVE SHUT-OFF.
OPTIONAL GRAPHOL PACKING MATERIAL IS AVAILABLE FOR HIGH TEMP. RATING 1000F @6000 PSI

TESTING:
PNEUMATIC TEST: - EACH VALVE IS TESTED WITH NITROGEN AT 100 PSI IN ACCORDANCE WITH MSS-SP-61 FOR SEAT & PACKING LEAKAGE.
HYDRO TEST: - PERFORMED WITH PURE WATER IN ACCORDANCE WITH MSS-SP-61. BODY TESTED AT 1.5 TIMES & SEAT LEAKAGE TESTED AT 1.1 TIMES OF THE WORKING PRESSURE.

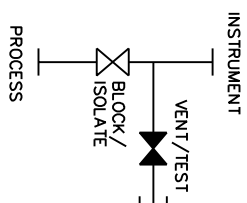
DESIGN STANDARD:
PRESSURE & TEMPERATURE RATING ARE SELECTED FROM ANSI B16.34 STANDARD CLASS VALVES BASED ON ANSI B16-CLASS 2500 OPTIONAL SOUR GAS SERVICE CONFIRMS TO NACE STD. MR-01-75



VIEW-'AA'

TECHNICAL DATA				
Seal	Pr. Rot.	Temp. Rot.	Cv	Orifice
METAL SEAT (41300 kpsi)	6000 PSI (-20 to 250° F (-29° to 121°C))	PTFE (-20 to 250° F (-29° to 121°C))	GRAFOL (-20 to 600° F (-29° to 315°C))	0.52 max. 4.8 mm.

NOTE:- 1) DIMENSIONS ARE IN MM.FOR REFERENCE ONLY,SUBJECT TO CHANGE.
2) APPROXIMATE WEIGHT= 0.95 KG. (2.1 LBS)



REV.	DESCRIPTION	BY	DATE

TITLE: - 2 VALVE MANIFOLD VERTICAL BASE VENTED

DRN.	VPT	SCALE	- NTS.
CHD.	VA	DATE	- 25.01.2005
APPD.	JP	DRG.NO :-	2VM-SS-8-BV
			R0

